

Actual Size: 72" x 32" x 21" • (182.88cm x 81.28cm x 53.34cm)

Shipping Size: 83" x 36" x 31" • (210.82cm x 91.44cm x 78.74cm)

Net Weight: 205lbs • (92.99Kg)

Shipping Weight: 225lbs • (102.05Kg)

Floor Dimensions: 54" x 22" • (137.16cm x 55.88cm)

Unoccupied Water Capacity: 75gal • (283.92L)

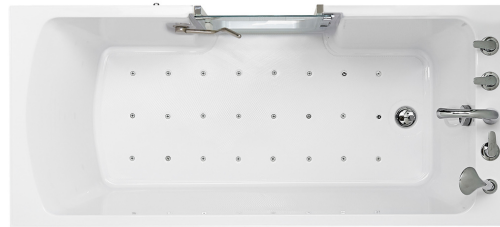
Occupied Water Capacity: 35-55gal • (132.49 - 208.2L)

Included Features (Soaking)

1. Acrylic Tub Shell
 - Gloss white finish
 - Fiberglass gelcoat reinforced
2. Stainless steel frame with adjustable leveling Legs.
3. Unique tempered glass inward swing door with a brushed finish aluminum frame.
4. 2" Brass Drain with overflow.

Jetting & Therapy Options

1. Air Massage
2. Hydro Massage
3. Microbubble Therapy
4. Soaking Option (No Jets)



Air Massage Package Option Shown

Jetting & Therapy Systems

Air Massage

- Air Massage Pump 3.6A
- 3 Speed Pump
- Auto-purge (Activates 20 minutes after pump shutdown)
- 24 jets
- On/Off push control

Hydro Massage

- Hydro Massage Pump 5A
- Hydro Massage Intensity Dial Control
- In-line Water Heater 5.5A
- Ozone Sterilization
- 11 jets
- On/Off Push Control

Microbubble Therapy

- Hydro Pressure Pump
- Pressure Tank
- On/Off push control

Warranty

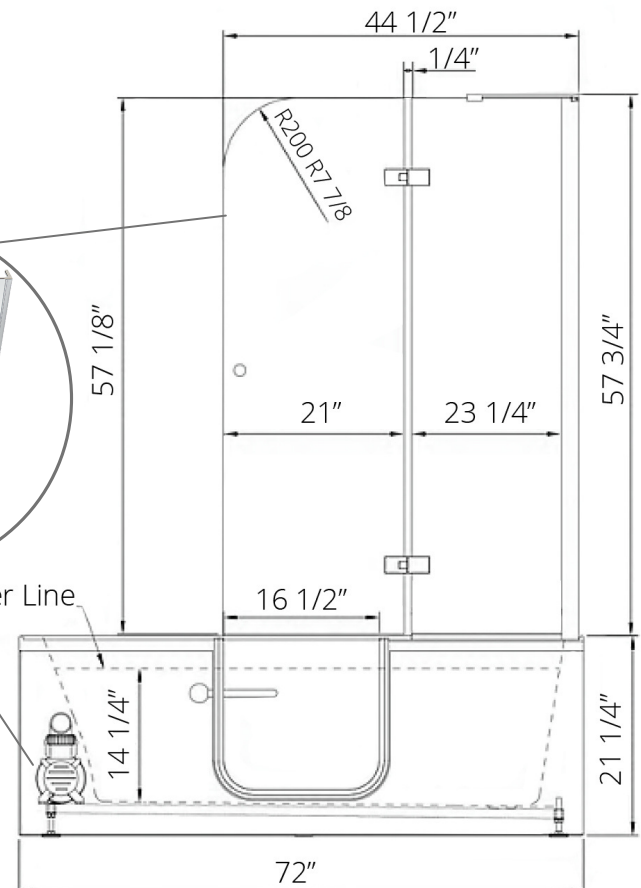
- Lifetime limited* warranty on shell, frame, door, and parts to original purchaser/Address
- Non Ella brand faucets covered under manufacturers original warranty

Optional Feature

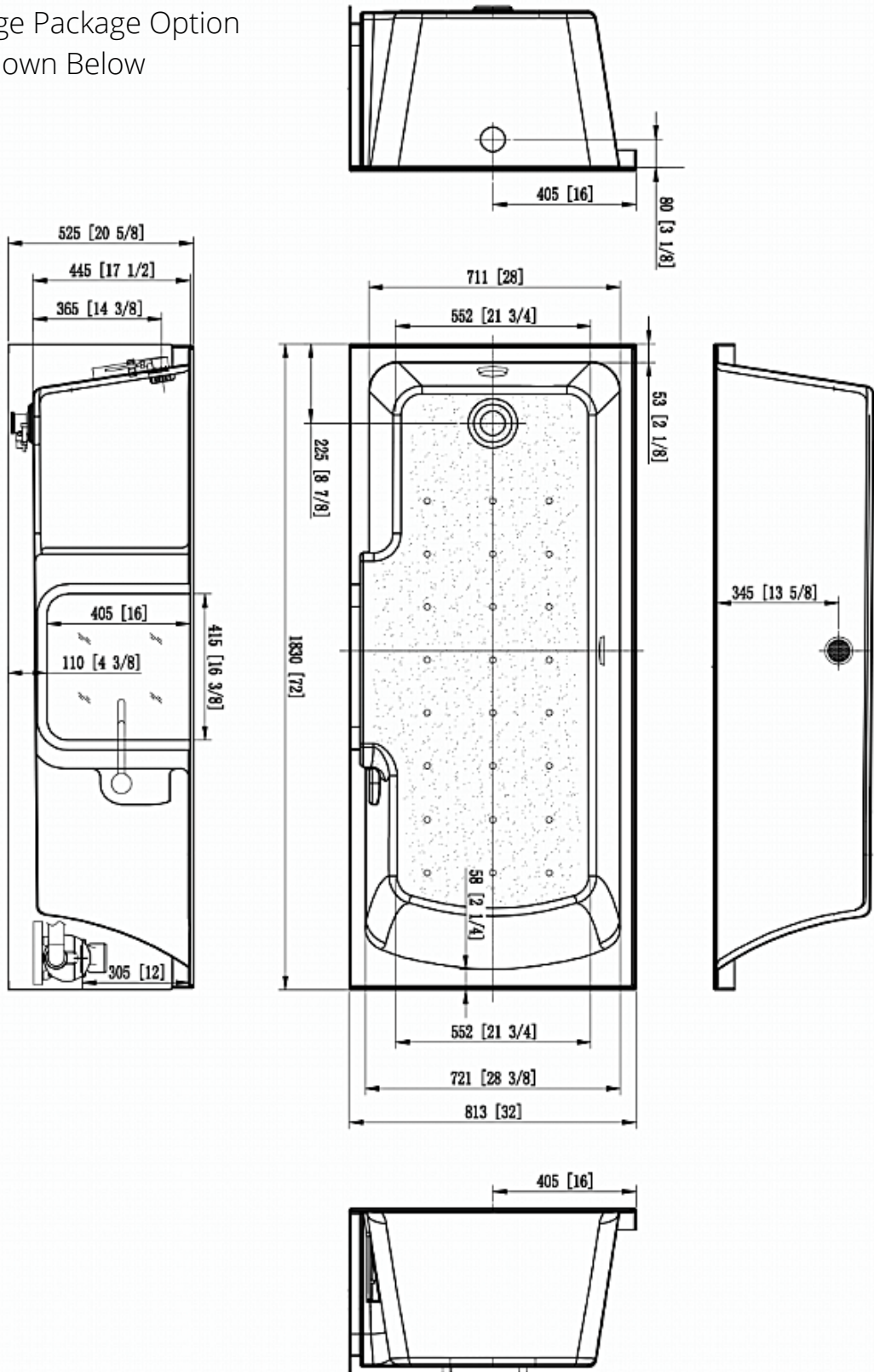
- Glass Shower Screen
- Size 41 1/2" x 37 3/4"



Water Line



Air Massage Package Option
Shown Below



Description

Solid brass spout in a chrome finish with a 5-setting pull out hand shower mixer including a 5' braided hose.
Two 3/4" 5' braided stainless-steel supply lines are included along with Cold/Hot levers with a diverter for the hand mixer.

Flow

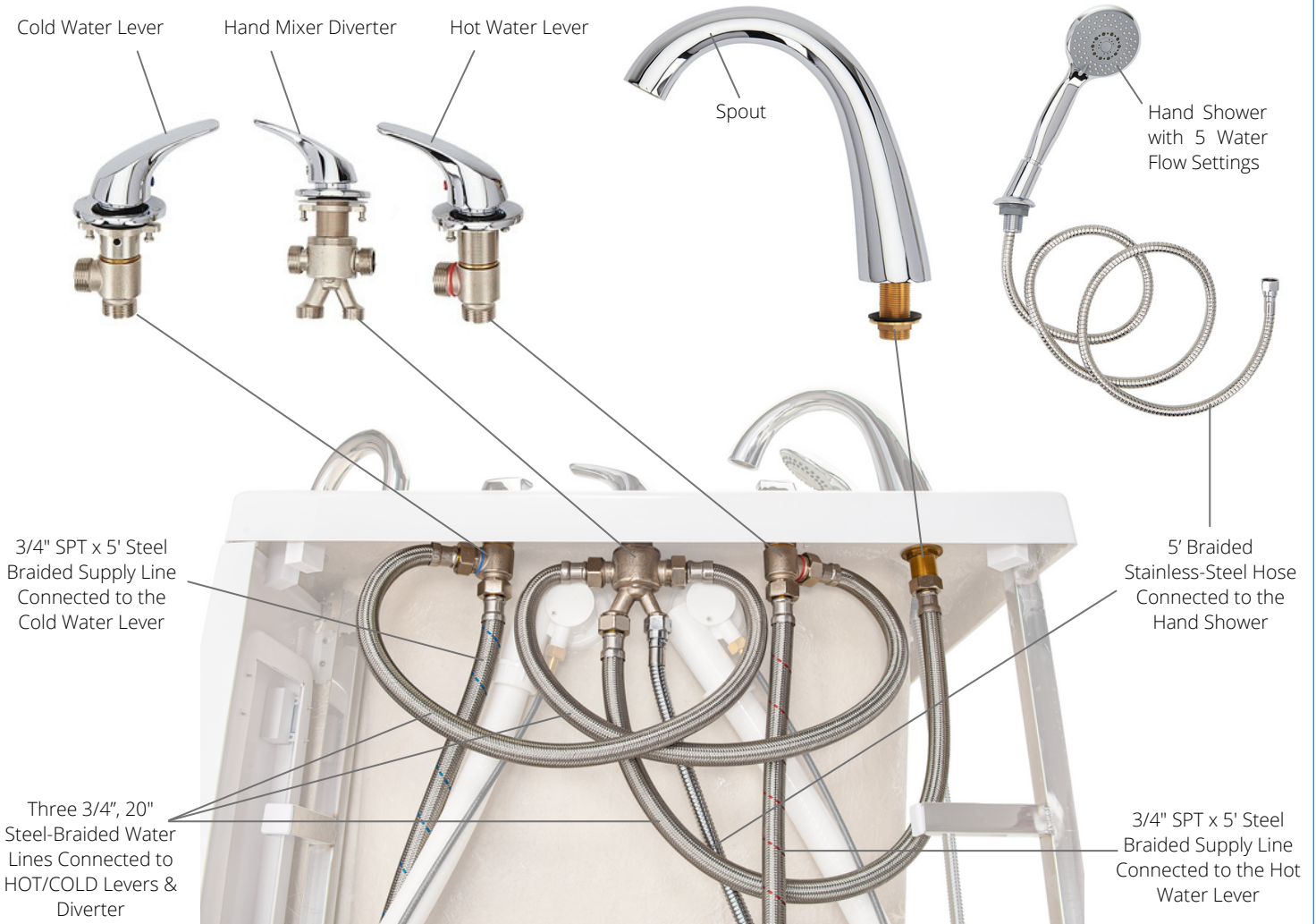
- Hand shower is limited to 1.9 GPM (7.5L/min)
- Faucet fill rate designed for 18 GPM (68.1L/min)

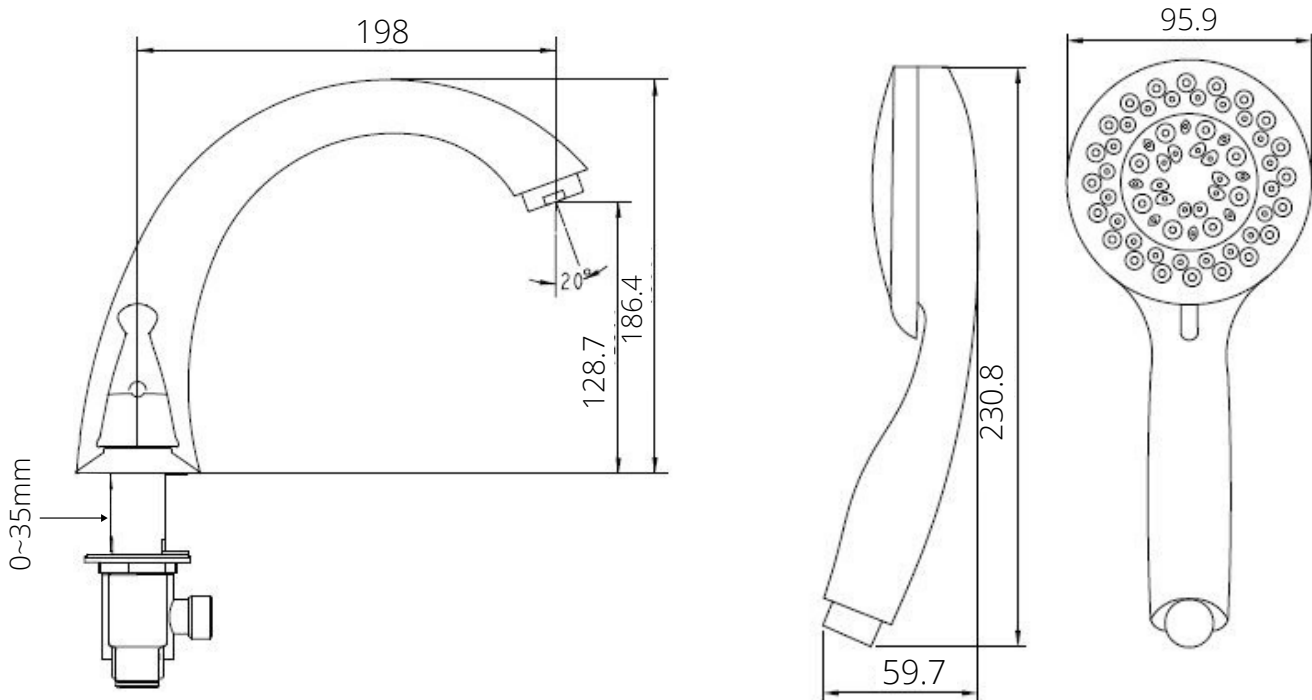
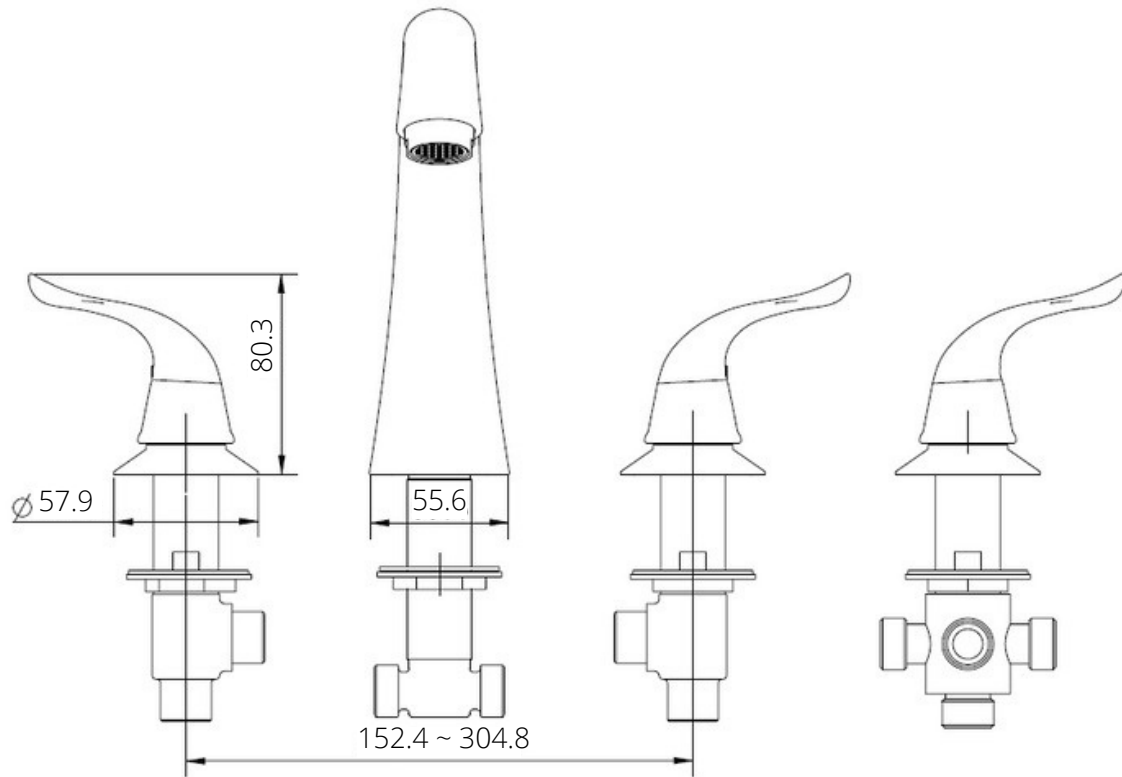
Cartridge

- 40mm high flow cartridge design
- Nonmetallic/nonferrous and stainless-steel material



Ella 5 Piece Fast-Fill Faucet Contents







Ella 2 Piece Single Lever Fast-Fill Faucet

Description

Solid brass spout chrome finish single lever high flow bathtub faucet with diverter button Two (2) 3/4" 5' braided stainless-steel supply lines Pull out hand shower mixer with 5 settings and 5' braided hose in a Chrome or Brushed Nickel finish.

Flow

- Hand shower is limited to 1.9 GPM (7.5L/min)
- Faucet fill rate designed for 16 GPM (68.1L/min)

Cartridge

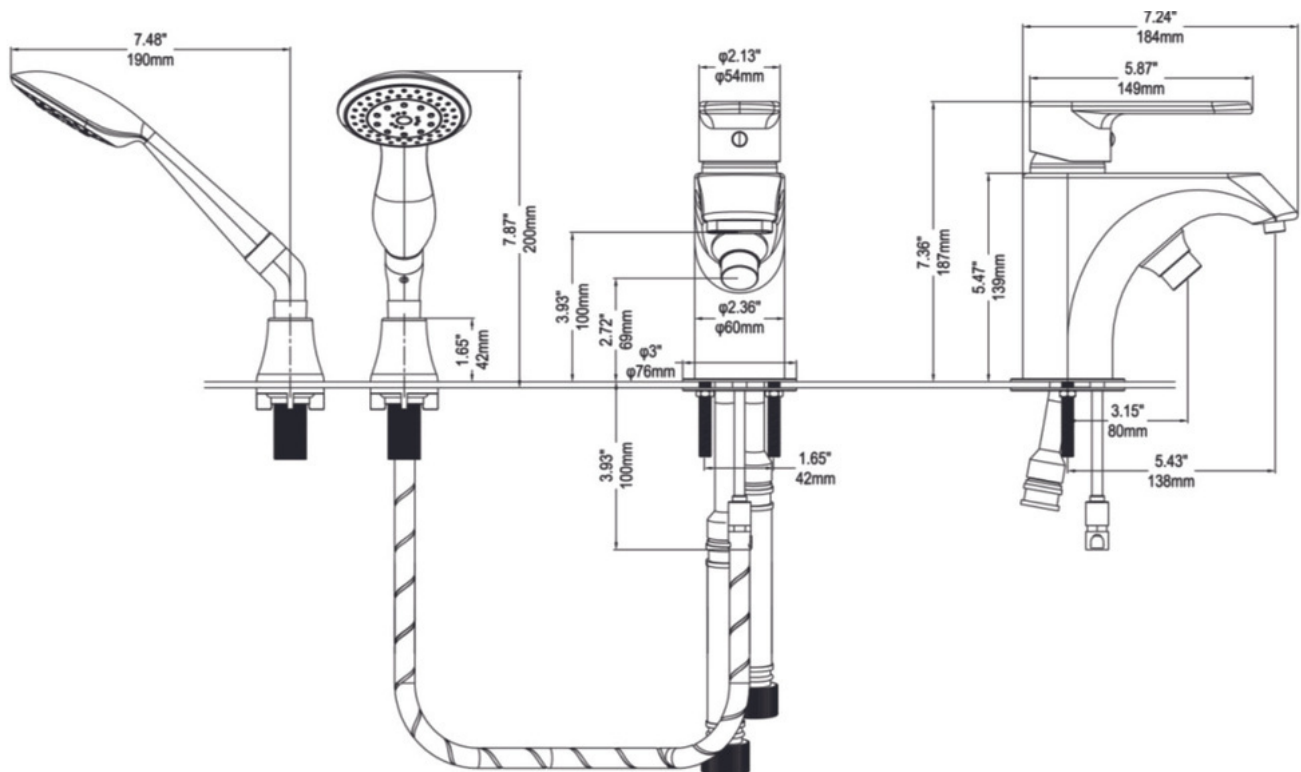
- 40mm high flow cartridge design

Standards

Certified to meet:

- CSA B-125.1, ASME A112.18.1, ICC 117.1
- Certified to ANSI/NSF 61/9
- ADA for lever handle
- IAPMO R&T UPC certified

NOTE: This faucet is designed to be installed through: G.W: 7.75 kg/ 17 lbs., 2-1/2" diameter hole for faucet, 1/3" diameter hole for mounting rods, 7/8" diagonal hole for hand shower



Laydown Tub Shower Screen Install

Glass shower screen needs to align with glass door below to prevent leaks



The gasket needs to point inward towards the tub

